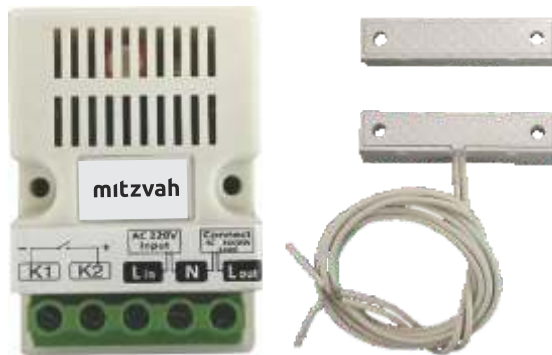


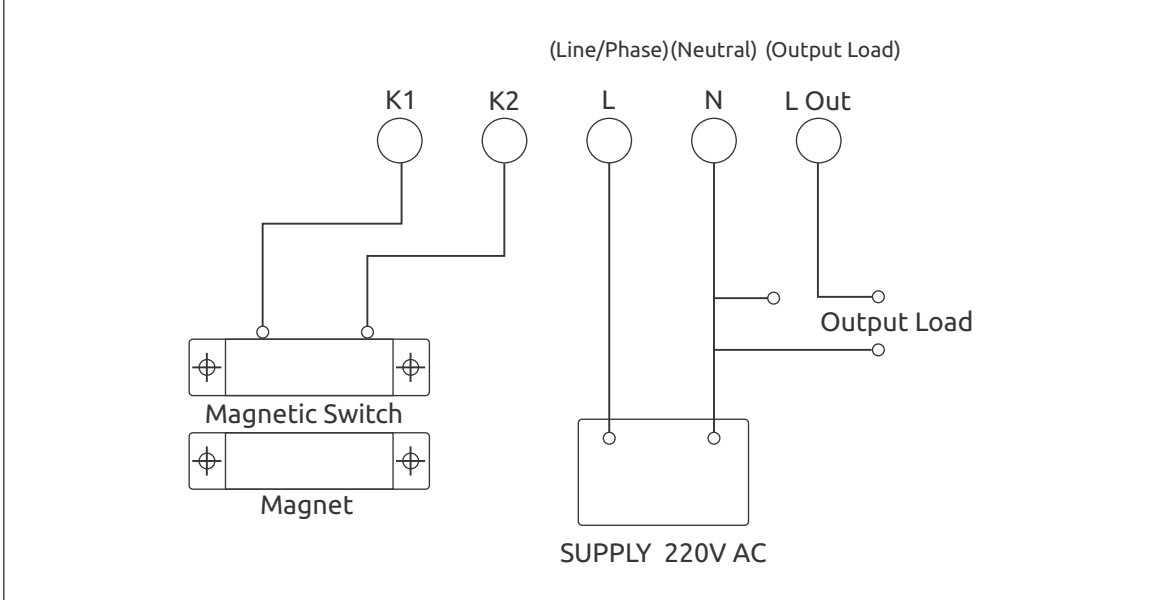
Magnetic Proximity Sensor



ELECTRICAL SPECIFICATIONS

Input Voltage:	220V AC
Sensing Output Voltage:	2 wire type, to be attached to Magnetic Switch NO type Model PS 910 MNO
Load Output:	220V AC, 15 Amp

CONNECTION DIAGRAM:



MAGNETIC SWITCH SPECIFICATIONS

Part No.:	PS 910 MNO
Normally Open Contact Switch(NO, 1 Form A)	

ELECTRICAL SPECIFICATIONS

Contact Rating:	10W/VA
Switching Voltage:	200 VDC
Switching Current:	0.5 Amp.
Contact Resistance(Min.):	200 milli ohms
Life expectancy:	1.0 Million Operations
Insulation Resistance:	10 ⁶ ohms
Shock resistance:	30G for 11mSec
Vibration resistance:	20G(10 to 1000Hz)
Magnets:	ALINCO/Rare Earth(Unless Otherwise Specified)